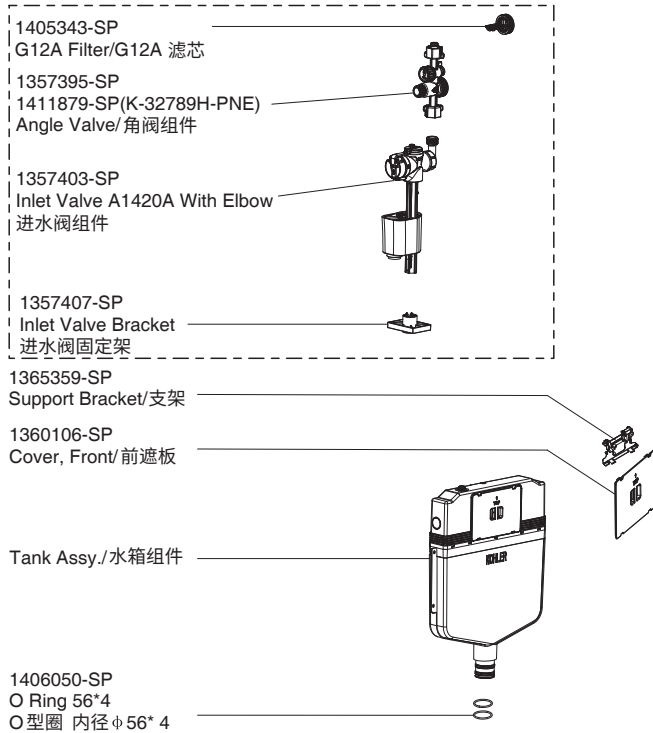
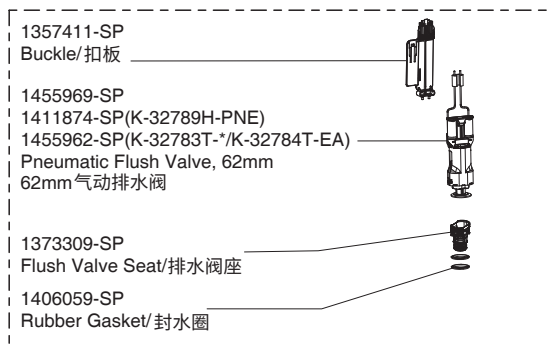


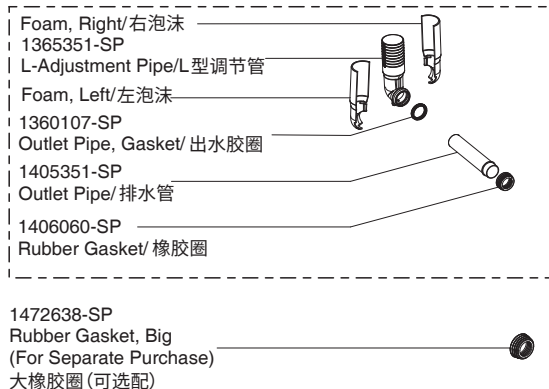
Inlet Assembly/进水组件



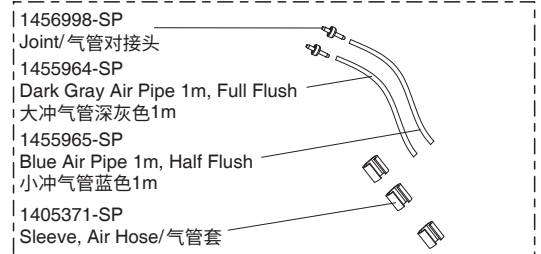
Flush Valve Assembly/排水阀组件



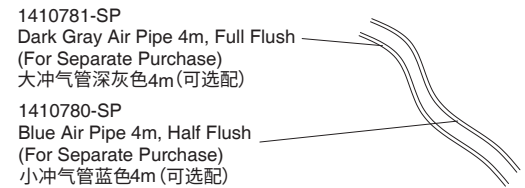
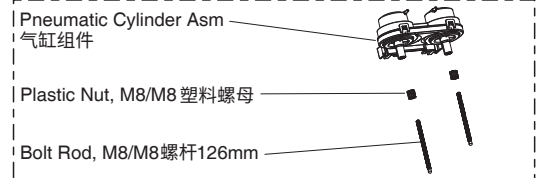
Outlet Pipe Assembly/冲水管组件



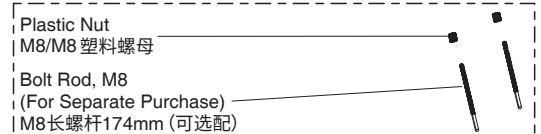
Air Pipe 1m, Flush Asm/1m 气管组件



1365358-SP Pneumatic Actuator/气动执行装置



1460317-SP M8 Bolt Rod & Nut Assembly/M8 螺栓及螺母配件

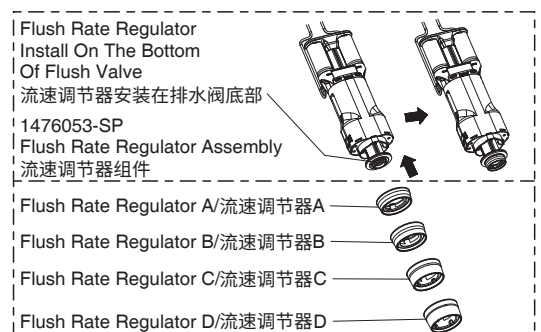


1360134-SP Tablet Housing Assembly 蓝洁灵盒组件



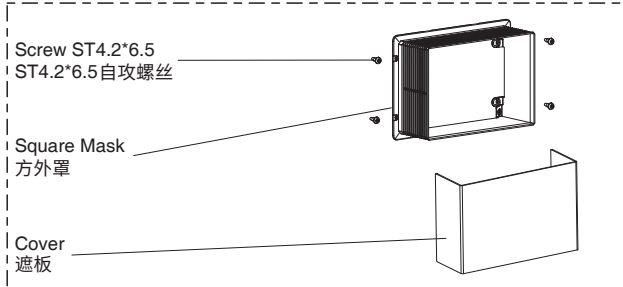
Water Flow Choosing: Original Flush Valve, Tank Has The Strongest Water Flow; Choosing Flush Rate Regulator A, B, C, D Can Make Water Flow Weaker And Weaker, Customer Can Choose Corresponding Flush Rate Regulator According To Reality

水箱冲刷力选择: 原装排水阀, 水箱冲刷力最强; 选择流速调节器A、B、C、D, 会使水箱冲刷力逐渐减弱, 客户可自行根据实际情况, 选择相应的流速调节器

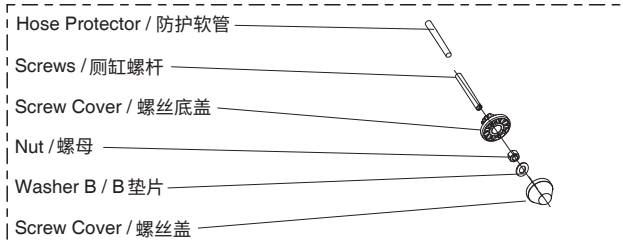


K-32783T-*/K-32784T-*/K-32789T-*/K-32789H-PNE/K-32784TW-PNE
K-32789K-PNE/K-32789A-PNE/K-32615MY-PNE/K-32791R-PNE

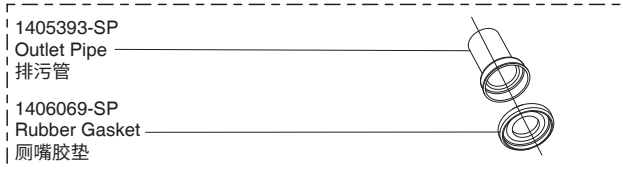
1360118-SP
Square Mask Assy.
方外罩组件



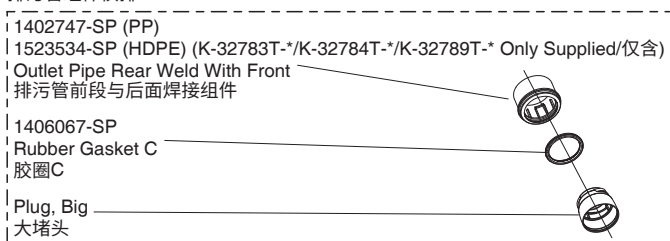
1409098-SP(M12x145)
1360138-SP(M12x180) (For Separate Purchase/可选配)
Assembly Kit for Wall-Hung Bowl/
挂墙式坐便器安装配件



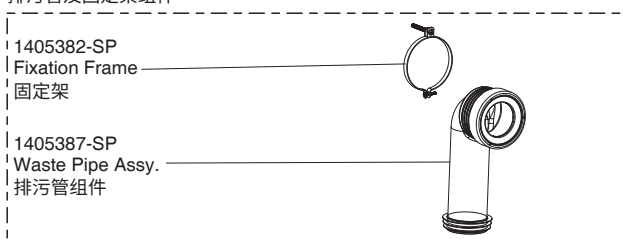
1402748-SP
Outlet Pipe Assy. For VC
陶瓷排污直管组件



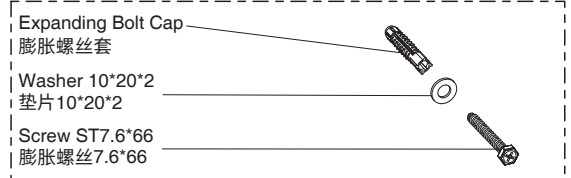
1402746-SP (PP)
1523533-SP (HDPE) (K-32783T-*/K-32784T-*/K-32789T-* Only Supplied/仅含)
Waste Pipe Assy. P-trap
排污管组件横排



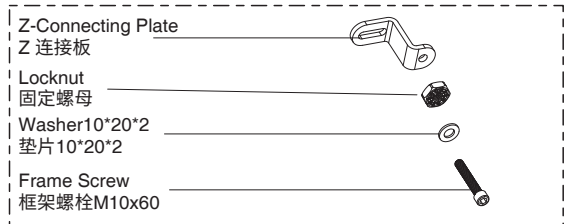
1397258-SP
Waste Pipe Assy With Fixation Frame
排污管及固定架组件



1358174-SP
Fitting Kits / 膨胀螺丝组件

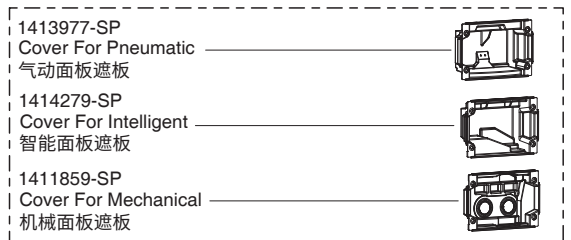


1365567-SP
Z-Connecting Plate Asm/ Z连接板组件

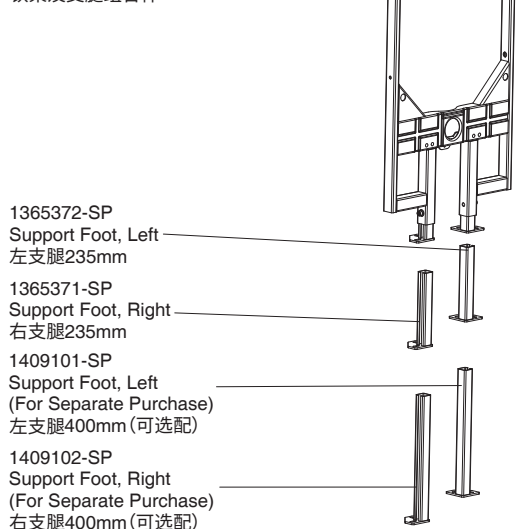


1372929-SP
Frame Screw
(For Separate Purchase)
框架螺栓M10x130 (可选配)

Cover/面板遮板



Metal Frame Assembly
铁架及支腿组合件



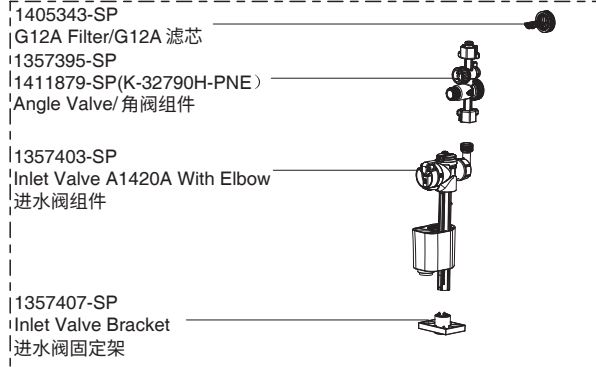
Note: -* is the code for wall-hung or wall-faced toilet series that in-wall tank can match with, which may represent VL, RE, VAW, DNW.

HT110 IWT W/F 3.0/6.0L, SKU: K-32784T-* does not include combination with ESCALE wall-hung (K-32784T-EA).

注: -* 为入墙水箱可匹配的挂墙马桶或落地马桶产品系列代码,有 VL、RE、VAW、DNW 等系列。

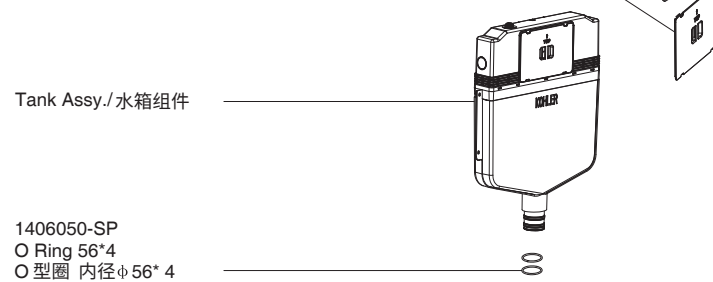
海德丽 110 气动入墙式隐藏水箱 3.0/6.0 升, SKU: K-32784T-* 不包括配艾思格尔挂墙座便器版本 (K-32784T-EA)。

Inlet Assembly/ 进水组件

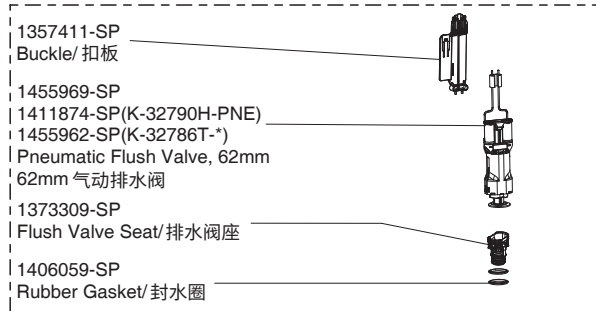


1365359-SP
Support Bracket/ 支架

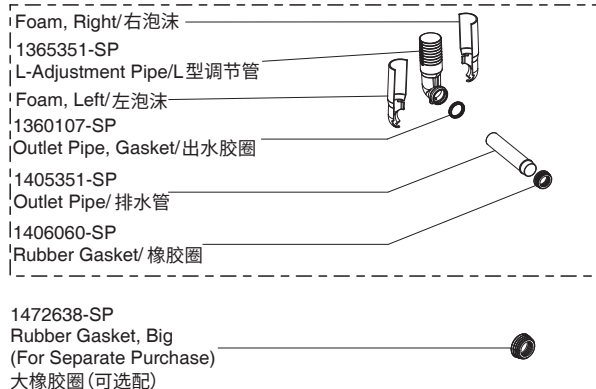
1360106-SP
Cover, Front/ 前遮板



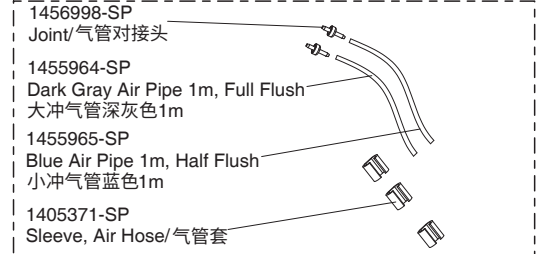
Flush Valve Assembly/ 排水阀组件



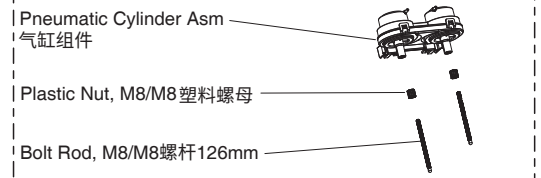
Outlet Pipe Assembly/ 冲水管组件



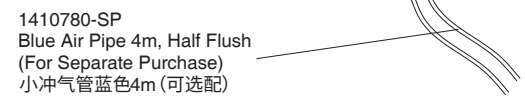
Air Pipe 1m, Flush Asm/1m气管组件



1365358-SP Pneumatic Actuator/气动执行装置

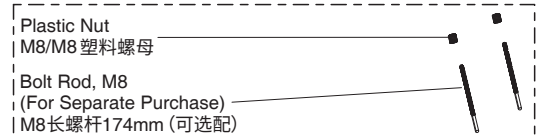


1410781-SP Dark Gray Air Pipe 4m, Full Flush (For Separate Purchase) 大冲气管深灰色4m (可选配)



1410780-SP Blue Air Pipe 4m, Half Flush (For Separate Purchase) 小冲气管蓝色4m (可选配)

1460317-SP M8 Bolt Rod & Nut Assembly/M8 螺杆及螺母配件



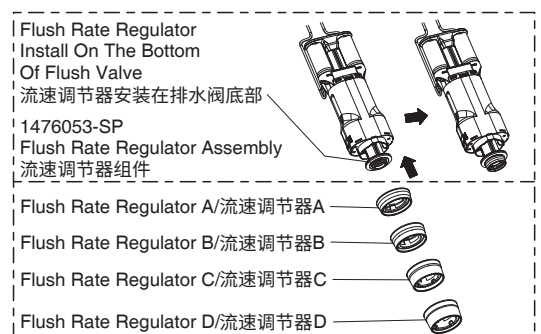
1360134-SP Tablet Housing Assembly 蓝洁灵盒组件



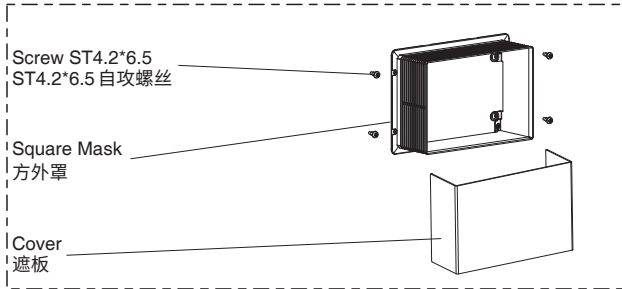
1411623-SP Fixation Pipe/固定管

Water Flow Choosing: Original Flush Valve, Tank Has The Strongest Water Flow; Choosing Flush Rate Regulator A, B, C, D Can Make Water Flow Weaker And Weaker, Customer Can Choose Corresponding Flush Rate Regulator According To Reality

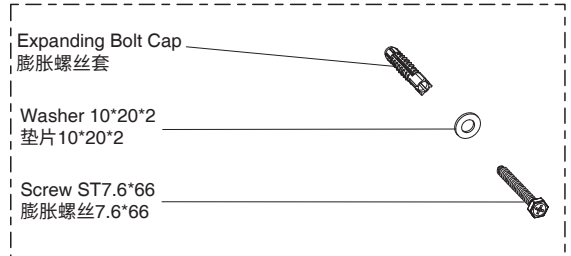
水箱冲刷力选择: 原装排水阀, 水箱冲刷力最强; 选择流速调节器A、B、C、D, 会使水箱冲刷力逐渐减弱, 客户可自行根据实际情况, 选择相应的流速调节器



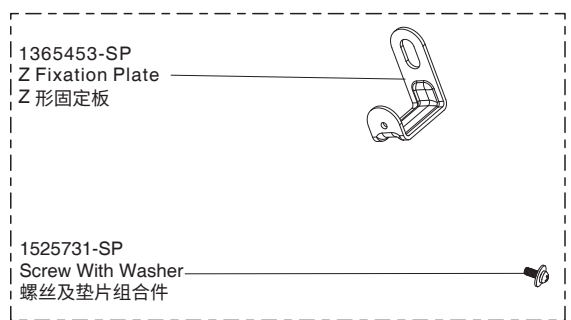
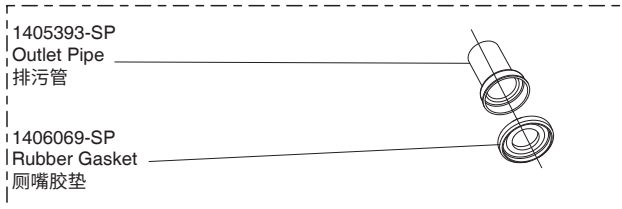
1360118-SP
Square Mask Assy.
方外罩组件



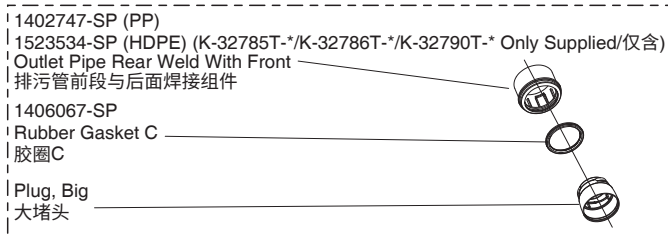
1358174-SP
Fitting Kits / 膨胀螺丝组件



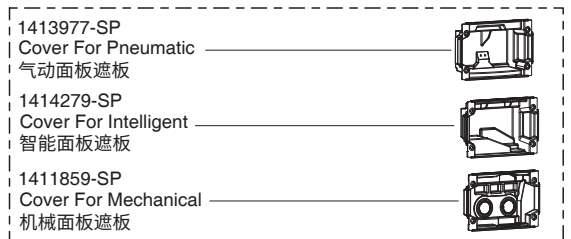
1402748-SP
Outlet Pipe Assy. For VC
陶瓷排污直管组件



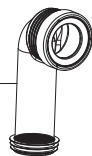
1402746-SP (PP)
1523533-SP (HDPE) (K-32785T-*/K-32786T-*/K-32790T-*) Only Supplied/仅含)
Waste Pipe Assy. P-trap
排污管组件横排



Cover/面板遮板



1405387-SP
Waste Pipe Assy.
排污管组件



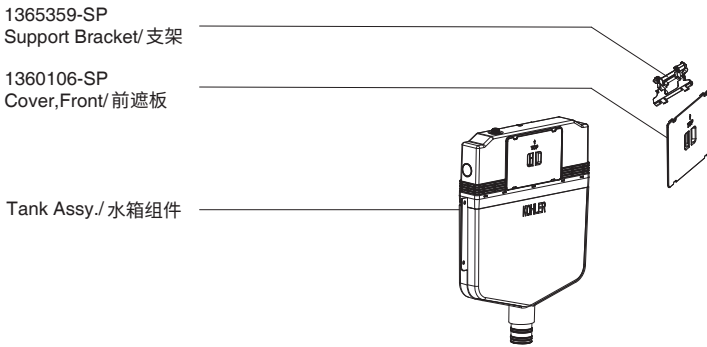
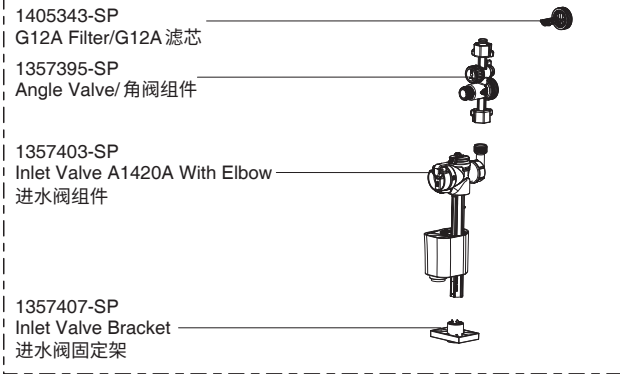
Note: -* is the code for wall-hung or wall-faced toilet series that in-wall tank can match with, which may represent VL, RE, VAW, DNW.

HT110 IWT W/F 3.0/6.0L, SKU: K-32784T-* does not include combination with ESCALE wall-hung (K-32784T-EA).

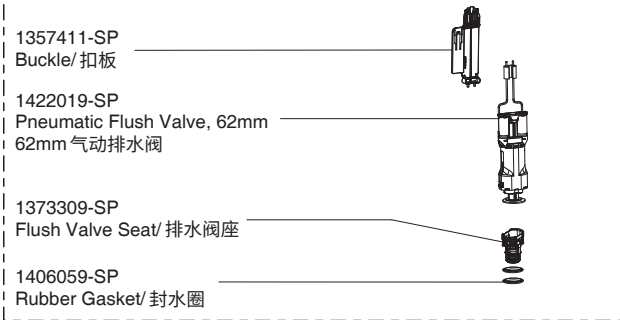
注: -* 为入墙水箱可匹配的挂墙马桶或落地马桶产品系列代码, 有 VL、RE、VAW、DNW 等系列。

海德丽 110 气动入墙式隐藏水箱 3.0/6.0 升, SKU: K-32784T-* 不包括配艾思格挂墙座便器版本 (K-32784T-EA)。

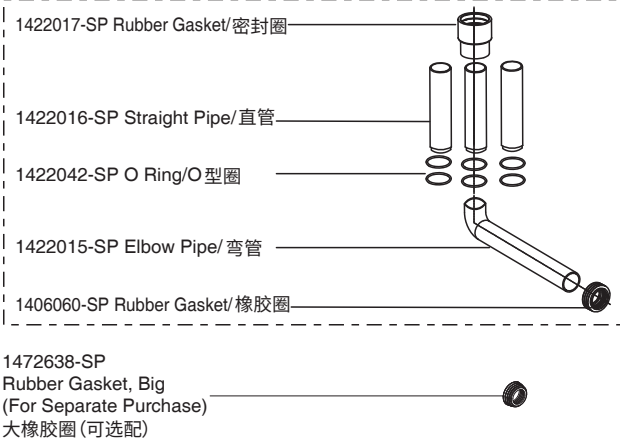
Inlet Assembly/ 进水组件



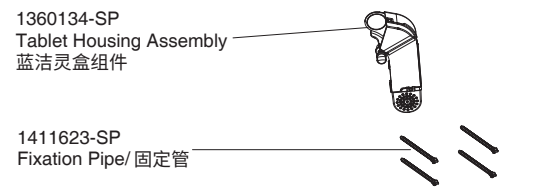
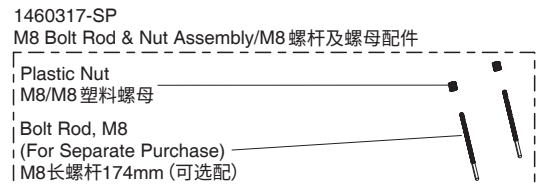
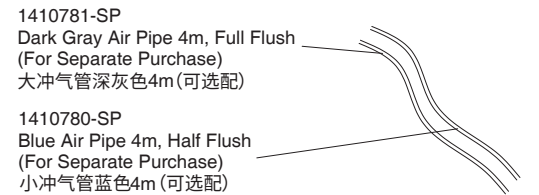
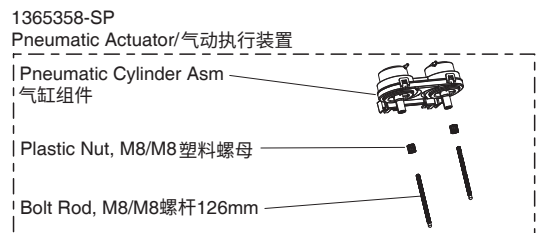
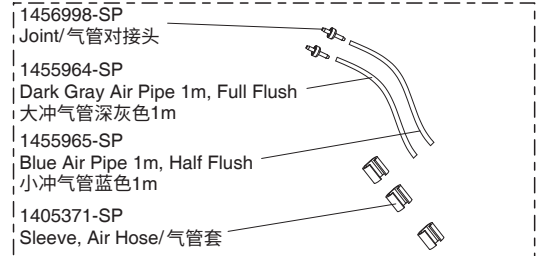
Flush Valve Assembly/ 排水阀组件



Tank Outlet Pipe/ 水箱出水连接管件

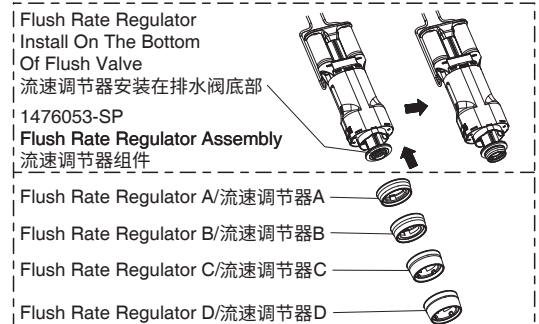


Air Pipe 1m, Flush Asm/1m 气管组件

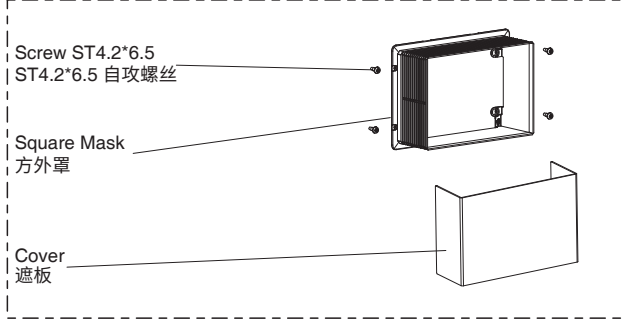


Water Flow Choosing: Original Flush Valve, Tank Has The Strongest Water Flow; Choosing Flush Rate Regulator A, B, C, D Can Make Water Flow Weaker And Weaker, Customer Can Choose Corresponding Flush Rate Regulator According To Reality

水箱冲刷力选择: 原装排水阀, 水箱冲刷力最强; 选择流速调节器A、B、C、D, 会使水箱冲刷力逐渐减弱, 客户可自行根据实际情况, 选择相应的流速调节器



1360118-SP
Square Mask Assy.
方外罩组件



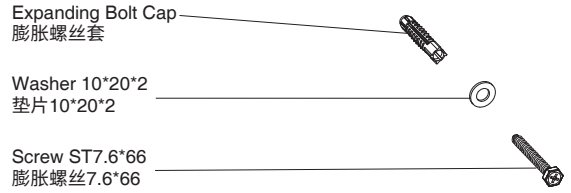
1365453-SP
Z Fixation Plate
Z 形固定板



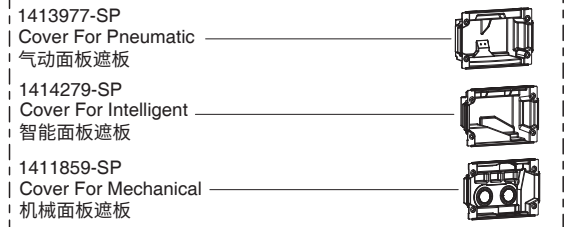
1525731-SP
Screw With Washer
螺丝及垫片组合件



1358174-SP
Fitting Kits / 膨胀螺丝组件

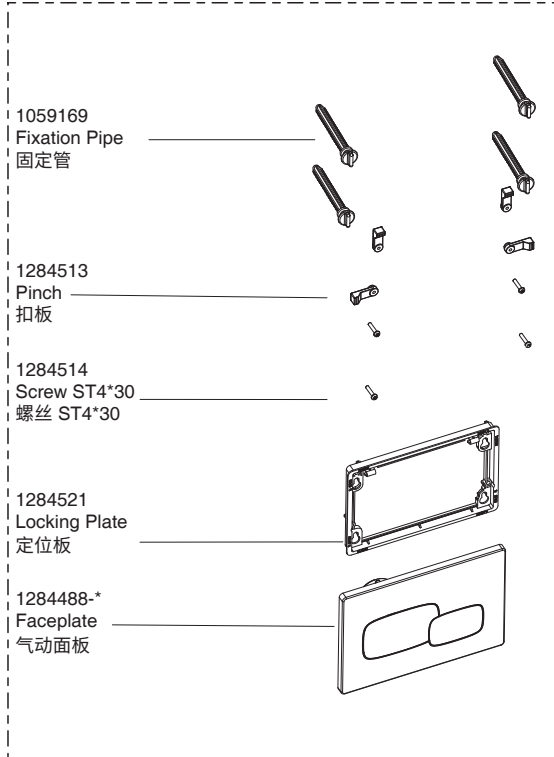


Cover/面板遮板



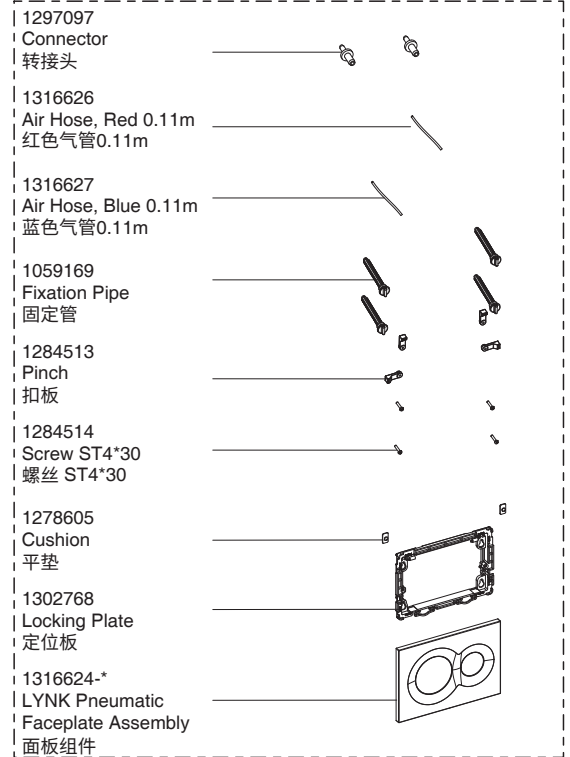
K-20341T-PNE-*

PEBBLE Pneumatic In-Wall Tank Faceplate
佩欧珀入墙式隐藏水箱面板 (气动版)



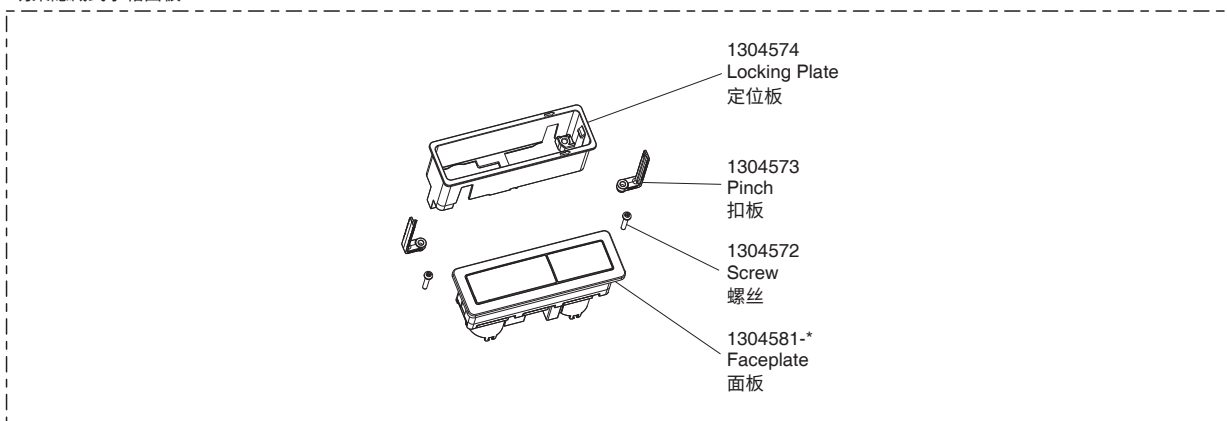
K-75890T-PNE-*

LYNK Pneumatic Faceplate
灵珂气动隐藏水箱面板



K-23055T-PNE-*

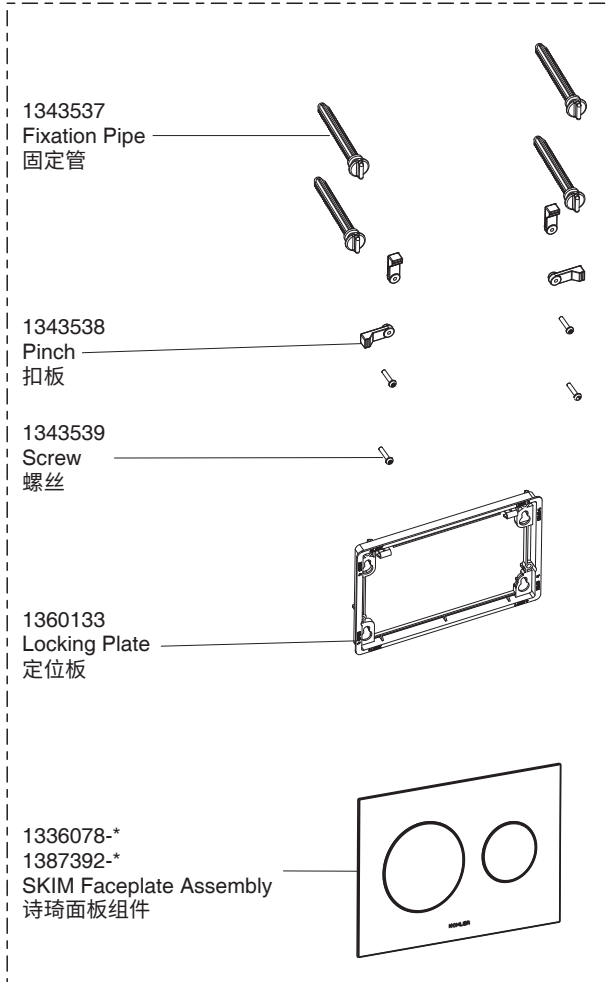
MODERN Life Small Faceplate
明莱隐藏式水箱面板



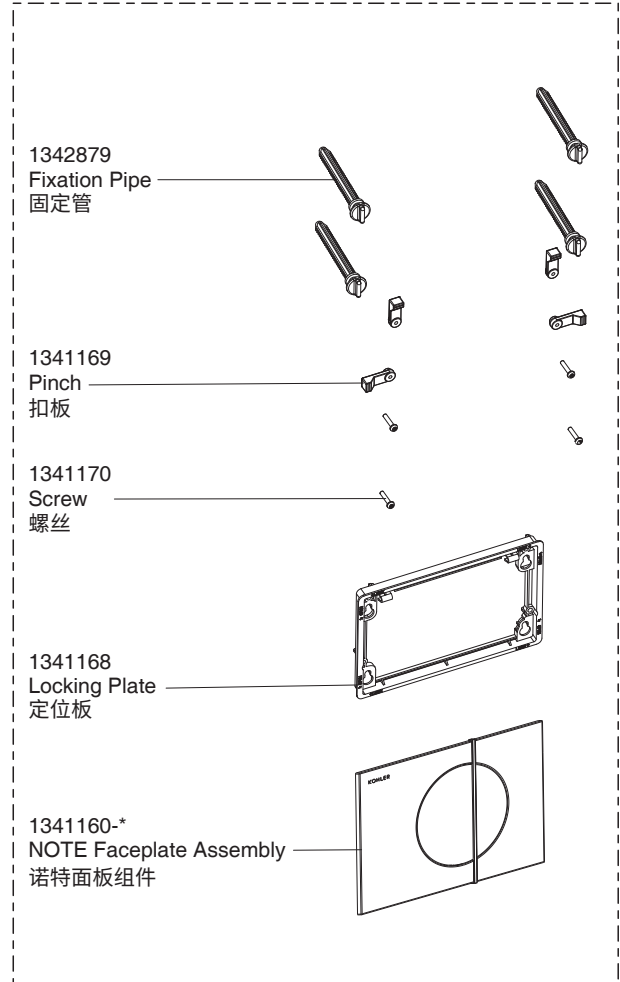
Color code (-*) or finish (-**) must be specified when ordering.

订购时请说明颜色代码 (-*) 或表面处理 (-**)

K-24149T*/K-24151T*
SKIM PNE IWT Faceplate
诗琦气动隐藏水箱面板



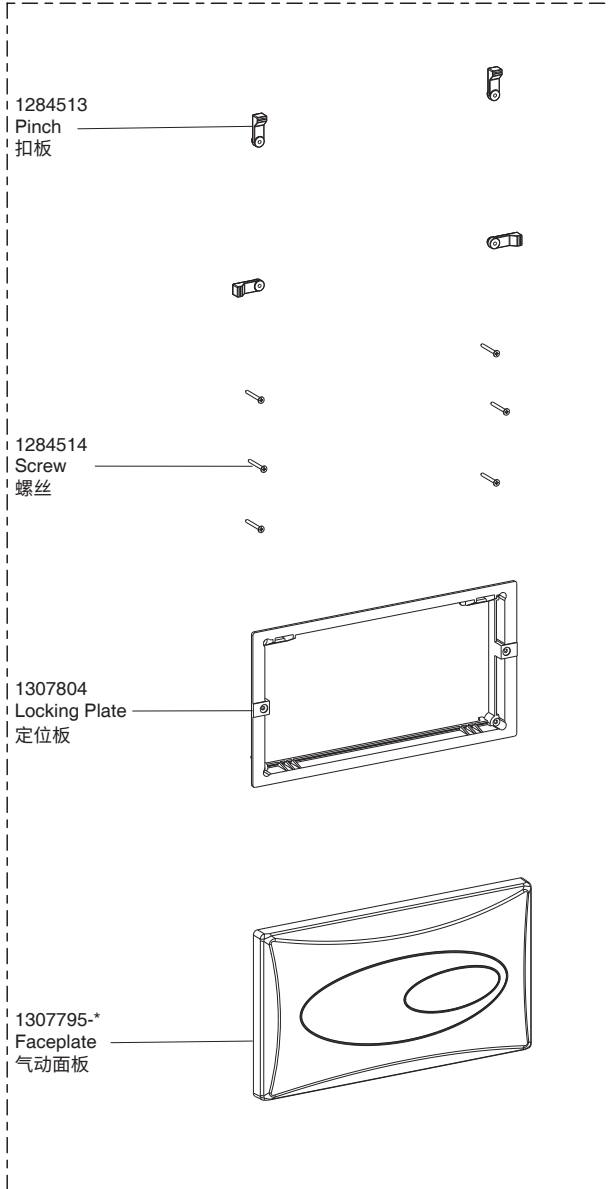
K-75891T-PNE*
NOTE Pneumatic In-Wall Tank Faceplate
诺特气动隐藏水箱面板



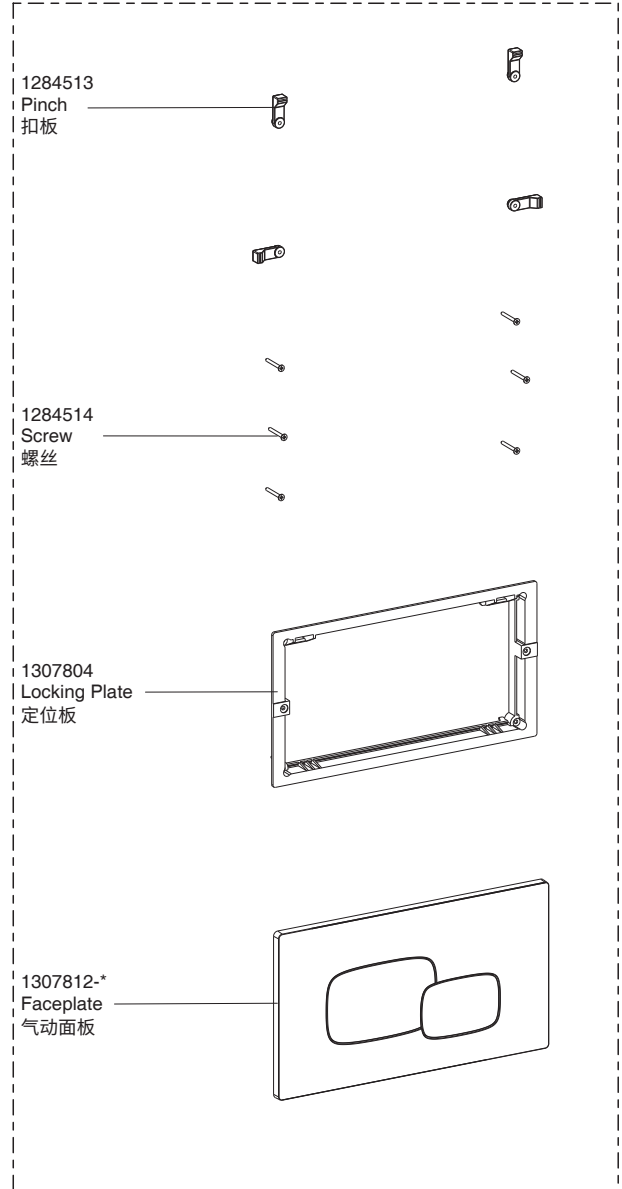
Color code (-*) or finish (-**) must be specified when ordering.

订购时请说明颜色代码 (-*) 或表面处理 (-**)

K-6283T-PNE-*
RATIO Pneumatic In-Wall Tank Faceplate(328*186)
瑞舒气动隐藏水箱面板(328*186)

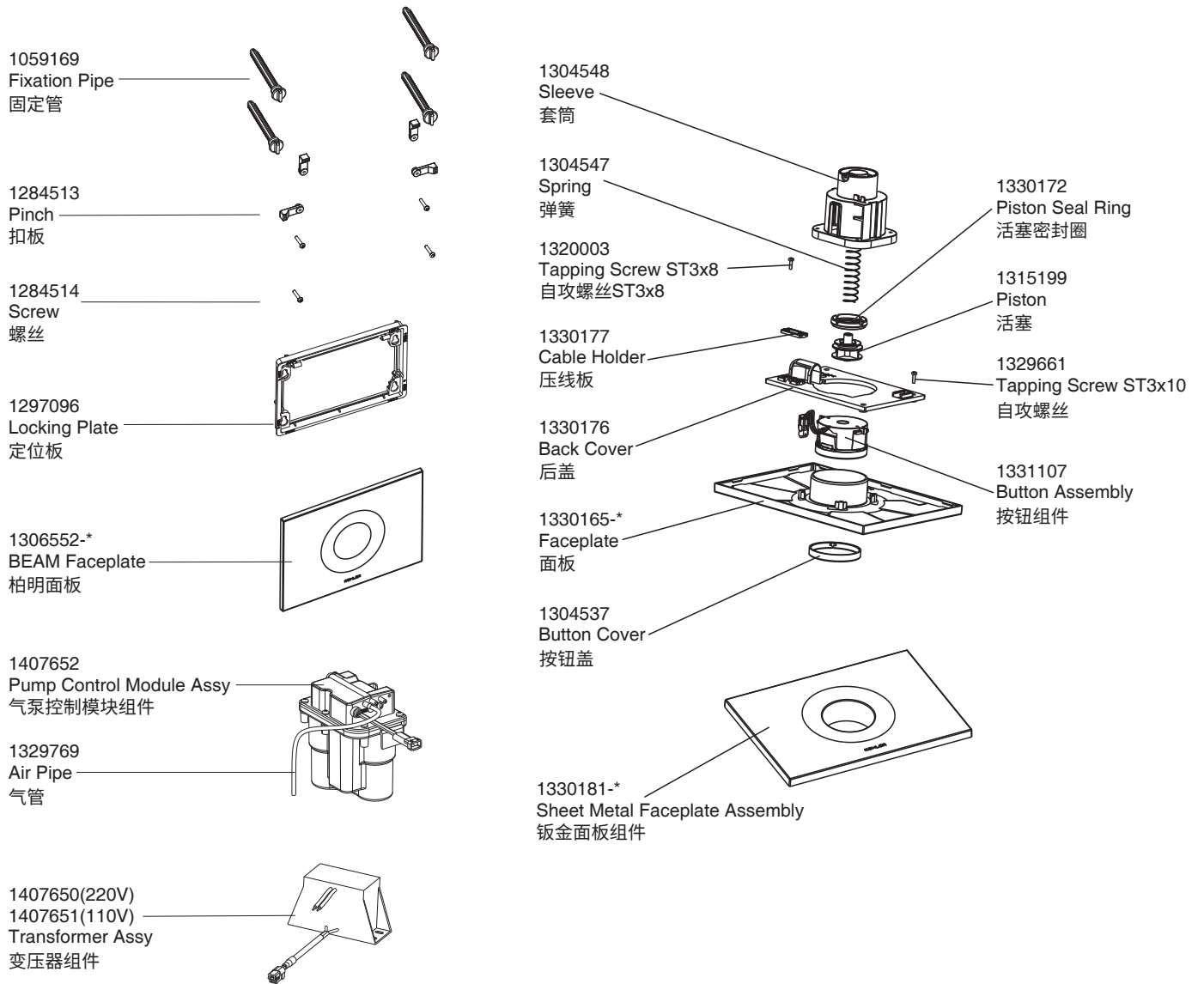


K-22525T-PNE-*
PEBBLE Pneumatic In-Wall Tank Faceplate(328*186)
佩欧珀气动隐藏水箱面板(328*186)



Color code (-*) or finish (-**) must be specified when ordering.

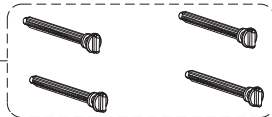
订购时请说明颜色代码 (-*) 或表面处理 (-**)



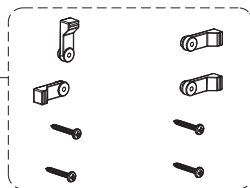
Color code (-*) or finish (-**) must be specified when ordering.

订购时请说明颜色代码 (-*) 或表面处理 (-**)

1385767
Fixation Pipe Pack
固定管配件包



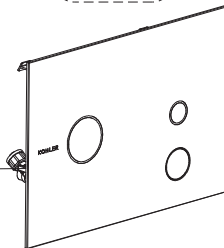
1385768
Fixation Plate Pack
固定板配件包



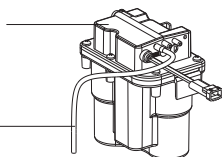
1385769
Anti-theft Screw Pack
防盗螺钉配件包



1348782 (K-24147T-7)
1407700 (K-78041-7)
Faceplate Assy
面板组件

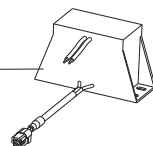


1407652
Pump Control Module Assy
气泵控制模块组件

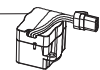


1329769
Air Pipe
气管

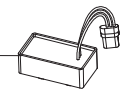
1407650(220V)
1407651(110V)
Transformer Assy
变压器组件



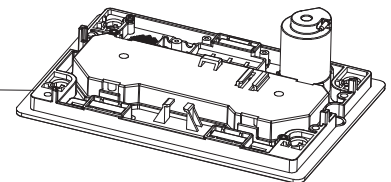
1348783 (K-24147T-7)
Speaker Assy
喇叭组件



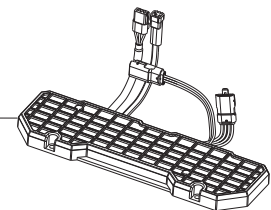
1374416
PSD
光电探测器



1348701
Faceplate Frame Assy
With Cylinder
带气缸面板框



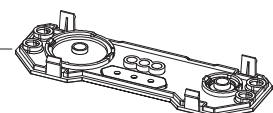
1383570 (K-24147T-7)
1408870 (K-78041-7)
AP AC PCB Assy
亚太电源版电路板灌胶组件



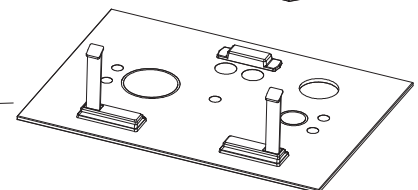
1348726
Tapping Screw ST3X10
自攻螺丝ST3X10



1348705
Faceplate Frame Cover Assy
面板框盖组件

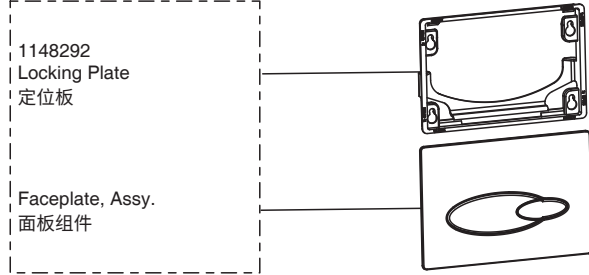


1348693
AC Glass Cover Assy
电源版玻璃盖板组件

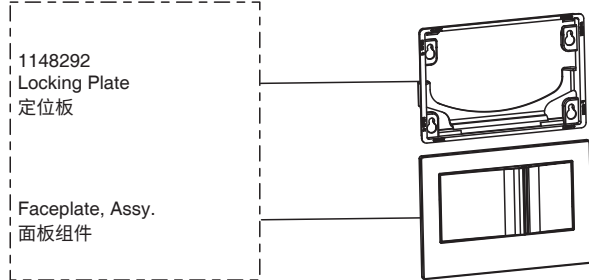


Color code (-*) or finish (-**) must be specified when ordering.
订购时请说明颜色代码 (-*) 或表面处理 (-**)

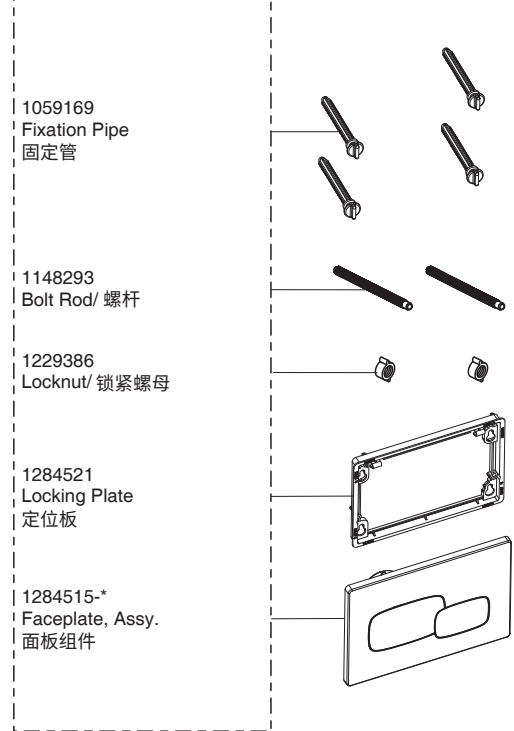
K-4177T-*
DROPLET In-Wall Tank Faceplate/
德瑞入墙式隐藏水箱面板



K-8857T-*
BEVEL In-Wall Tank Faceplate/
贝芙入墙式隐藏水箱面板



K-20341T-*
PEBBLE In-Wall Tank Faceplate/
佩欧珀入墙式隐藏水箱面板



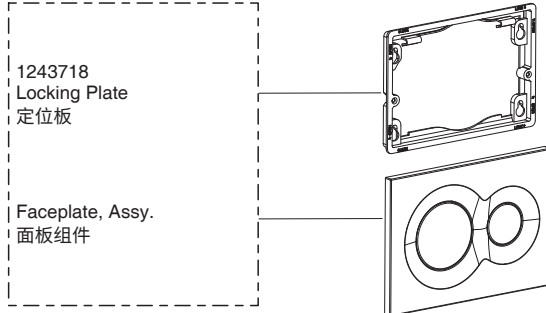
Color code (-*) or finish (-**) must be specified when ordering.

订购时请说明颜色代码 (-*) 或表面处理 (-**)

K-75890T-*

LYNK Faceplate

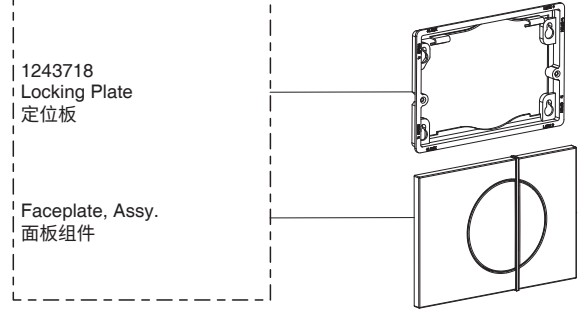
灵珂机械隐藏水箱面板



K-75891T-*

NOTE In-Wall Tank Faceplate

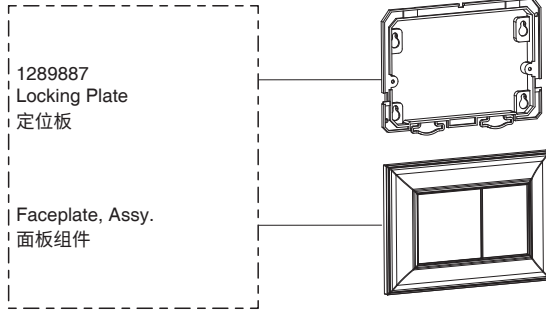
诺特隐藏水箱面板



K-77271T-*

MEMOIRS Faceplate

梅玛机械隐藏水箱面板



Color code (-*) or finish (-**) must be specified when ordering.

订购时请说明颜色代码 (-*) 或表面处理 (-**)